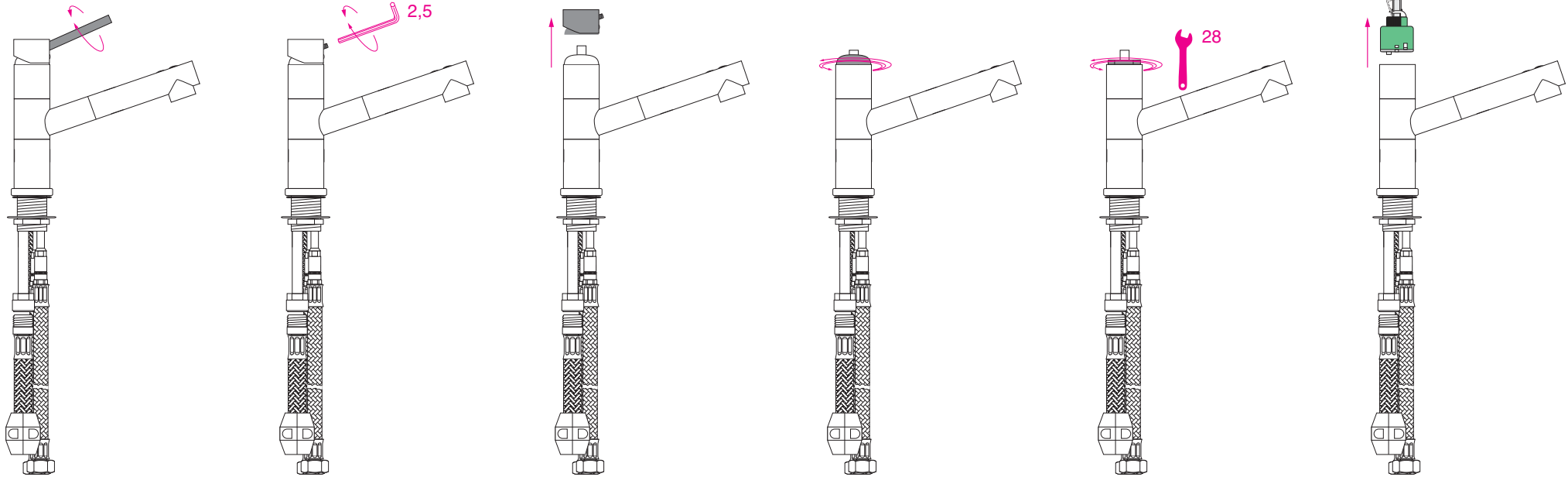


CARTRIDGE REPLACEMENT INSTRUCTIONS MDY1401



UNSCREW
THE HANDLE PIN



UNSCREW
WITH
THE ALLEN KEY



LIFT
THE HANDLE



UNSCREW
THE CHROME CAP



UNSCREW
IN THE
BRASS NUT



LIFT
THE CARTRIDGE